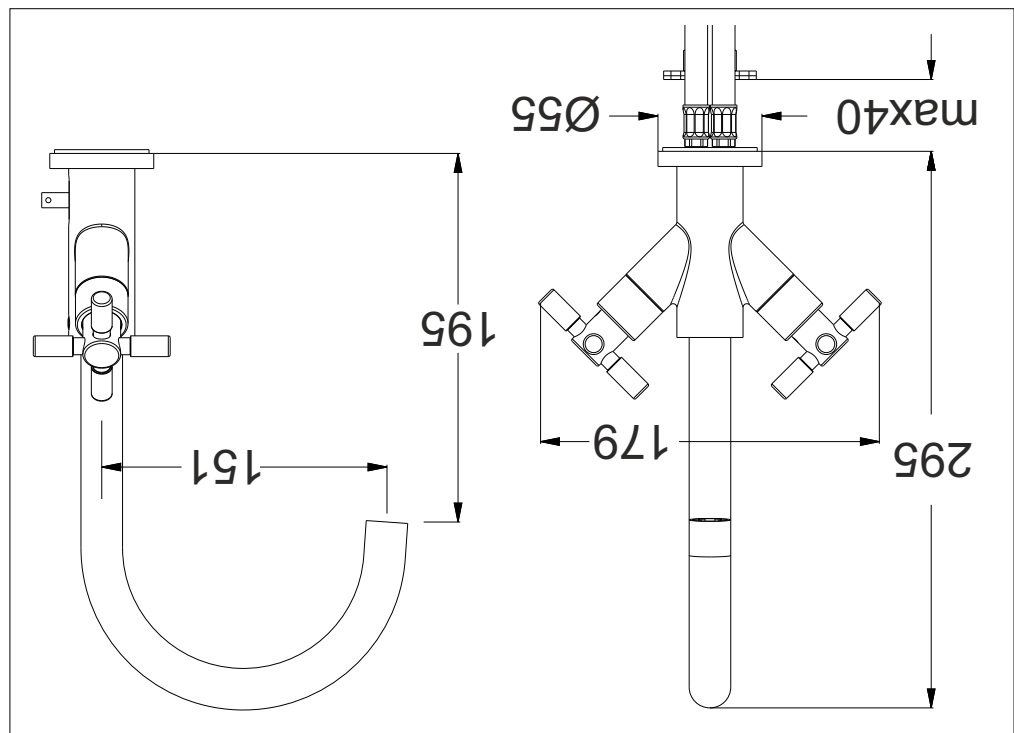


Note: dimensions in mm

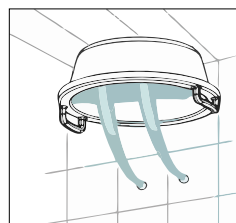


DIMENSIONS

This product should only be fitted by a qualified plumber to NVQ (National Vocational Qualification) or SNVQ (Scottish National Vocational Qualification) Level 3. Should the installation be completed by a non-qualified person then the guarantee may be considered invalid. For a claim made under our warranty written certification of your installers credentials can be required. For further information or to find a qualified installer in your area please visit the Institute of Plumbers website - www.iphe.org.uk.

WARRANTY

At present, to be a plumber you need to follow the National Vocational Qualification (NVQ) route (Scottish National Vocational Qualification - SNVQ - in Scotland). These qualifications are made up of theory and practical work in the classroom/purpose built training facility and work based experience with a working plumber. Colleges should help students find a work placement, although many students organise it themselves. The S/NVQ qualification works in levels. All recently qualified plumbers should hold S/NVQ Level 2 as basic with Level 3 as the preferred level. Level 2 will give you the foundation you need for a career in plumbing and teach you domestic plumbing to a satisfactory level. Level 3 is more comprehensive and deals with domestic, commercial and industrial plumbing along with aspects such as gas - if you want to one day set up your own business, this is the level to reach. The Institute of Plumbing and Heating Engineering, and the industry as a whole recommends that all plumbers reach a minimum of Level 3. Reaching Level 3 has other advantages. The Institute runs a Master Plumber Certificate, which only those attaining Level 3 or equivalent can reach as long as they have the relevant experience as well. Those with S/NVQ Level 3 can (once in membership with the Institute for five years as a Member MIPHE) gain Engineering Technician EngTech status with the Engineering Council (UK).



Tap.
- Clean Carefully The Water Pipes Before Installing The
- Installation Performed By Qualified Personnel Only!

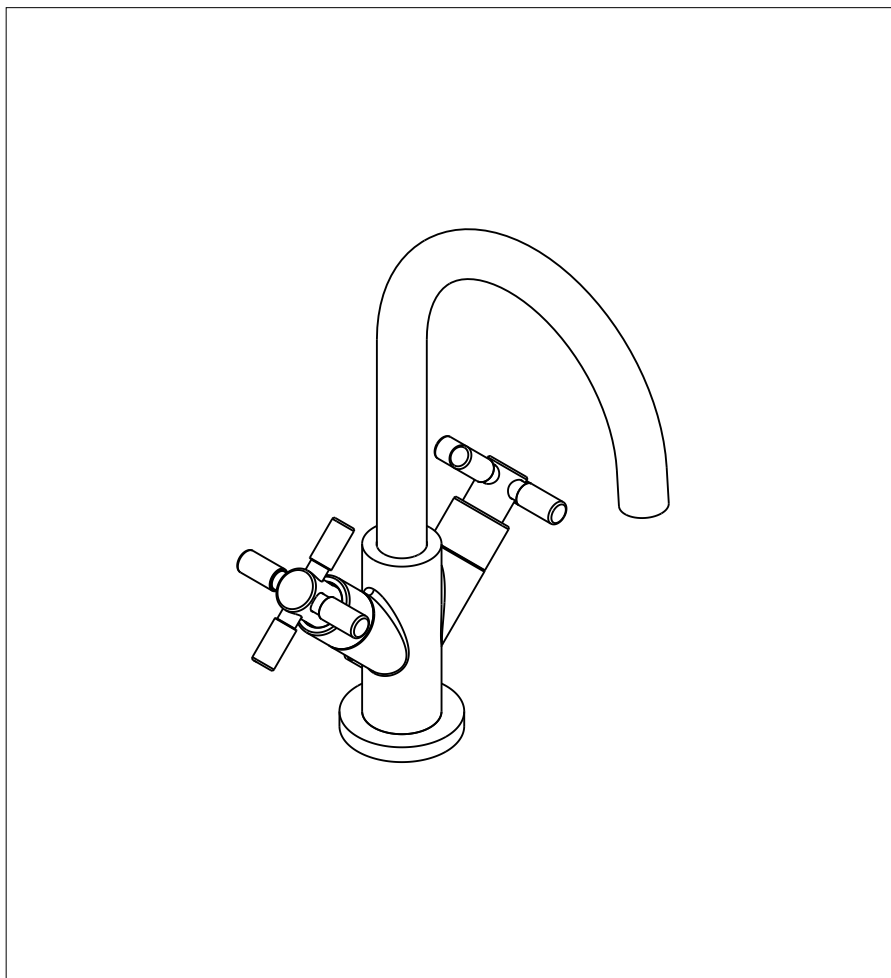
WARNING
boiler off and non return valves are not required.
necessary to shut off the incoming mains and turn the
the tap. These are not supplied. Where combination boilers are fitted it is only
non return valves are fitted on both hot and cold pipes as dose as possible to
mains,
require that where the hot water is supplied from a tank and cold from the
Preparation and bylaw requirements These taps are double flow. Water bylaws
5412:1996 where applicable.
Water Bylaws Scheme and comply with requirements of British Standard
All products are manufactured using materials tested and approved under the
Approvals
claimable under the warranty.
installation process, incorrect maintenance or misuse and as a result not be
- On receipt of this product the chrome finish must be checked for blemishes.
product may not correctly work or not work at all.
- if the above mentioned conditions (see points 1,2,3,4) are not observed, the

5. Warning:
4. We recommend installing filters (not supplies) to this product.
3. Maximum hot water temperature : 80°C
2. Maximum test pressure: 5 Bar
1. Recommended working pressure: 1 Bar
Standard specifications
disc.
work is flushed thoroughly after installation to avoid damaging the ceramic
non-return valves on both hot and cold feeds. It is very important that all pipe
pressures then the tap will not function correctly. It will also be necessary to fit
(via a combination boiler for example). If the taps are not supplied at balanced
cold water at balanced pressures, both from the tank or both from the mains
and cold water are separated) and should therefore be supplied with hot and
contained in their bylaws. All of the taps in this range are double flow (the hot
The installation must comply with regulations of the Local Water Authority as
General Installation Requirements

Please read these instructions carefully and keep in a safe place for future
reference.

INTRODUCTION

WASHBASIN MIXER - WITH POP-UP WASTE



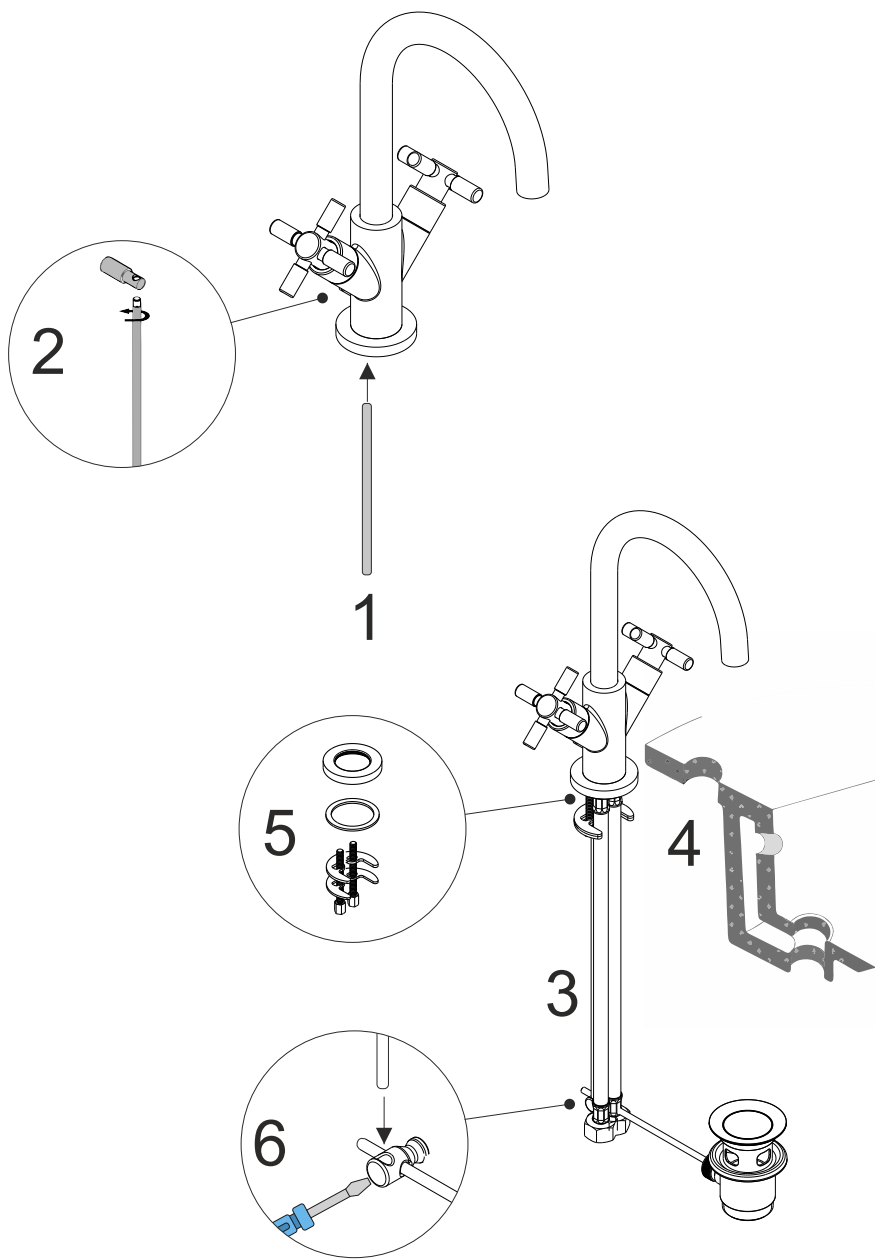
TO110DPC+



INSTALLATION INSTRUCTION

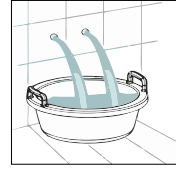
INSTALLATION

TO110DPC+



4

INSTALLATION

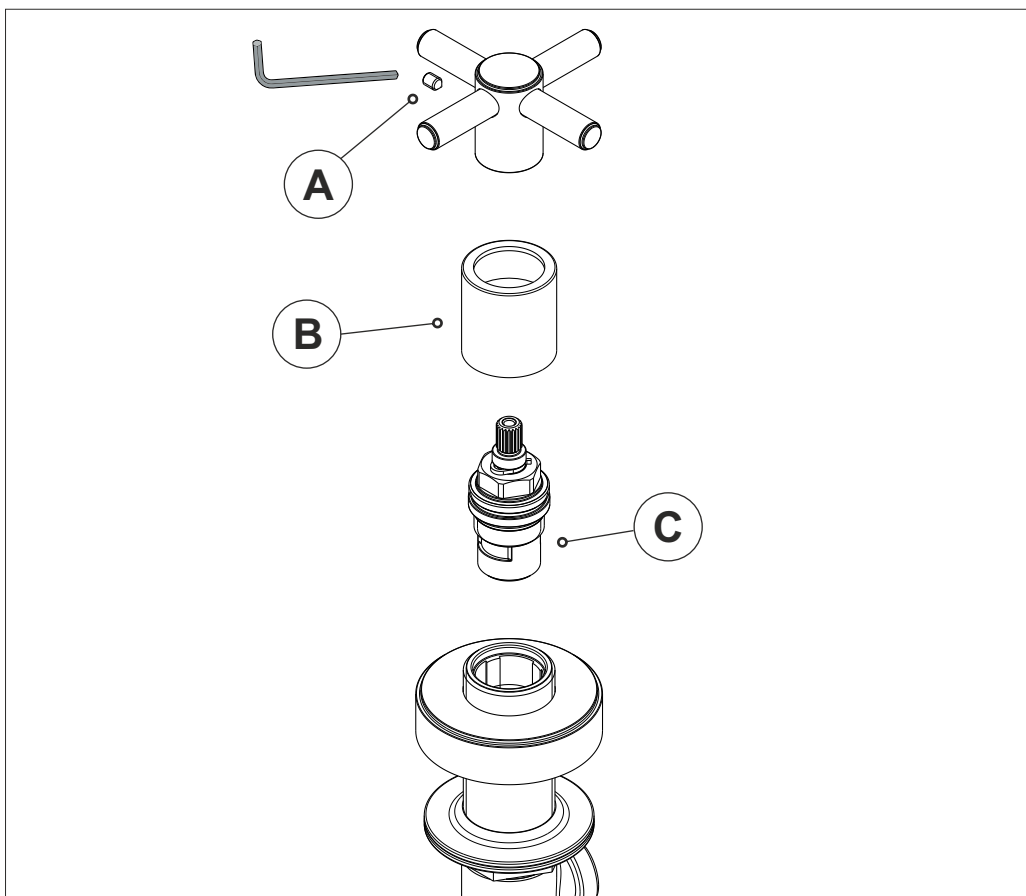


First shut off your water heating system. Fitting isolating valves to the inlet feeds is recommended for ease of maintenance. Remember to turn of the mains water supply before connecting to any existing pipe work. Flush the piping with plenty of water prior to installation. This Operation and Maintenance Guide provides the correct installation instructions, correct use and maintenance of the Product. Our mixers are completely tested into the our factory, to guarantee reliability and endurance.

- Firstly Verify that your basin is provided with a standard hole according to UNI EN 31 law (35mm ^{+2/-1}).
- Insert the waste rod under the tap body (1) and screw into the lever (2).
- Below the base of the tap, screw up the two flex tails (3) to the mixer body, taking care to tighten well.
- Then, insert the mixer in the hole from above the basin, making the flex tails passing through first (4).
- Working below the basin, insert the specifically shaped rubber gasket and the metallic insert (5) in the threaded screws. Tighten the nuts on the threaded fittings, having care to position correctly the mixer onto the basin.
- Connect the flex tails at the filters (not supplied) and to the water system.
- Connect pop-up waste to rod with clamp (6).

5

MAINTENANCE



REPLACE CERAMIC DISK VALVE

First shut off the water supply to the tap.

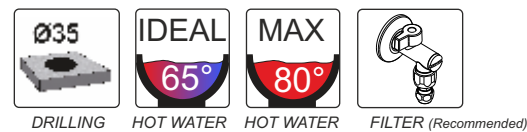
With an allen key, loosen the screw (A) into the handle and remove it. Unscrew the chromed base (B), carefully using a correct size spanner unscrew the valve (C). Replace the valve and reassemble chromed base and handle.

6

CLEANING



The chrome plate we use on our taps is very durable, nevertheless care should be taken when cleaning them. They should be cleaned only with warm soapy water followed by rinsing with clean water and drying with a soft cloth. All finishes are vulnerable to acid attack and some strong substances such as household cleaners, disinfectants, denture cleaners, hair dyes, wine making and photographic chemicals can cause the surface to go black or peel.



STANDARD RECOMMENDATIONS TABLE

crosswater[™]

7